

		DATA SHEET		Core size	EI75x40
Reference	125275	Customer Reference	CPSL110	Weight	1.60Kgs

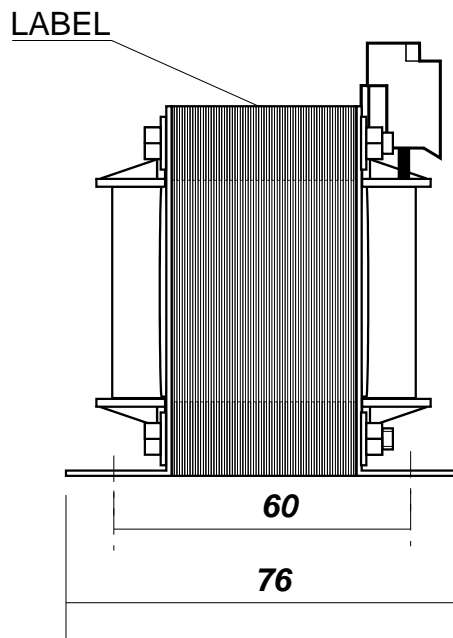
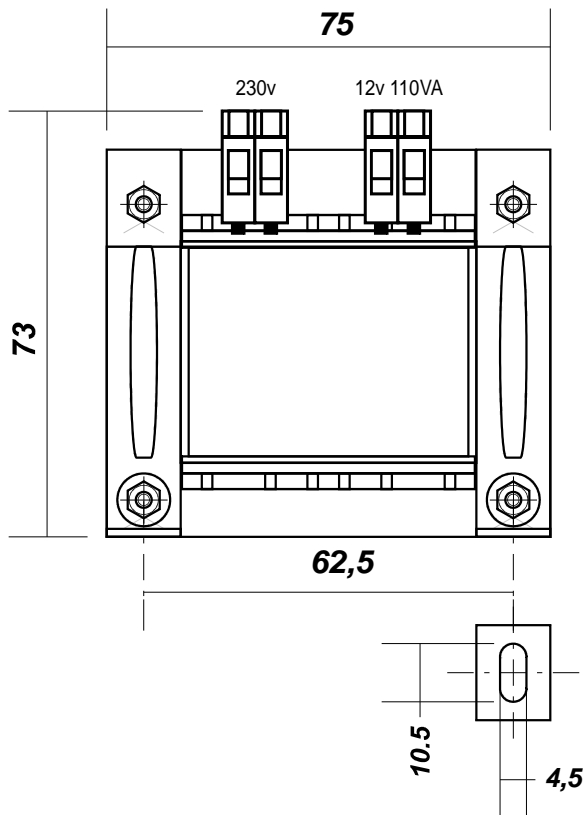
Thermal class	Protection index	Safety class
Ta 40/B	IP00	I

Primary
230V
Frequency
50/60Hz

Secondary	Sec. Current
12V	110VA 9.1A

Dielectric Strenght Pri - Sec	Insulation Pri - Sec
1750v 1min	>2MΩ

According to
EN61558 / RoHS



LABEL

	110VA	Pri: 230v	Sec: 12v
	Tclass B 130C	I Pri: 0.56A	I Sec: 9.1A
	T max 40C	Freq: 50/60Hz	Pot: 110VA
		Ref: 125275	Batch: 88/20
	Primary	Secondary	
	• 230v •	• 12v •	

			Material	Finished		Edit
			Draw	Sizes in mm		07/10/2020
			Sheet 1 / 1			
RevN°	Date	Description	SAFETY TRANSFORMER CLASS I 230V // 12V 110VA			